



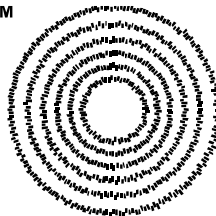
SOUNDSPHERE™

LOUDSPEAKERS



SOUNDSPHERE™

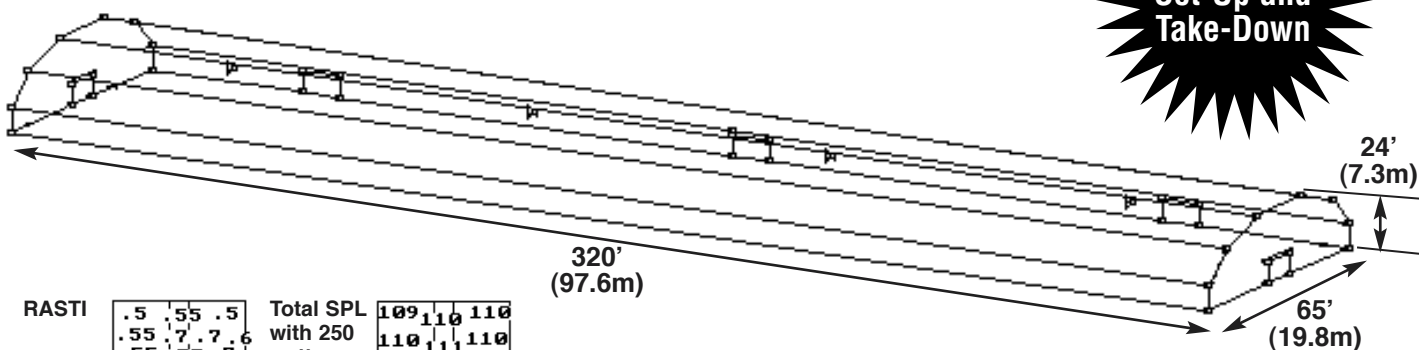
LOUDSPEAKERS



... Under Tents

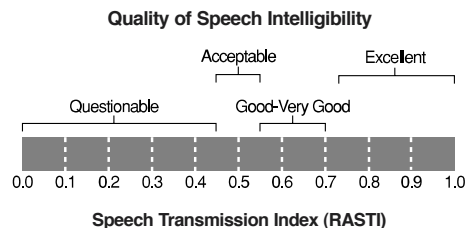
This picture shows four SoundSphere™ Q-12A loudspeakers suspended above the crowd attending a special event at the annual Canon Greater Hartford Open P.G.A. golf tournament in Connecticut.

Four SoundSphere™ Q-12A's mounted 18' above the ground in a tent similar to the one pictured with a reverberation time of 1 sec. @ 1 kHz.



RASTI	Total SPL with 250 watts per speaker
.5	109
.55	110
.6	110
.65	110
.7	110
.75	110
.8	110
.85	110
.9	110
.95	110
1.0	110

Decibels	Typical Sound Pressure Levels (A-weighted)
120	- jet takeoff 200' away
110	- loud rock music
100	- heavy truck close by - 5,000 shouting people in an arena
90	- boiler room
80	- heavy traffic
70	- vacuum cleaner 10' away - normal conversation
60	- large store



- Omnidirectional dispersion creates even coverage; small numbers of loudspeakers will cover large areas.
- The largest SoundSphere loudspeakers, with up to 250 watts of power handling, weigh less than 45 lbs. (20 kg) each. The light weight allows many mounting possibilities.
- SoundSphere loudspeakers produce high sound pressure levels, dramatic music reproduction, and high speech intelligibility, using less amplifier power.
- Rugged materials and construction withstand abuse in set-up and tear down handling.
- Suspended loudspeakers keep wires, stands, etc. off the floor for safety.

Set up a demonstration and hear the difference.

SOUNDSPHERE™
Division of Sonic Systems, Inc.

10 Research Drive • Stratford, CT 06615 • Phone: (203) 386-9200 • Fax: (203) 386-0773 • Visit our website at www.soundsphere.com