



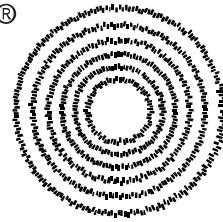
SOUNDSPHERE®

LOUDSPEAKERS



SOUNDSPHERE®

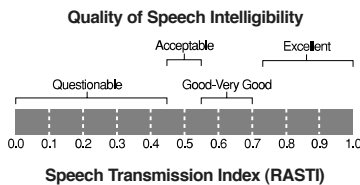
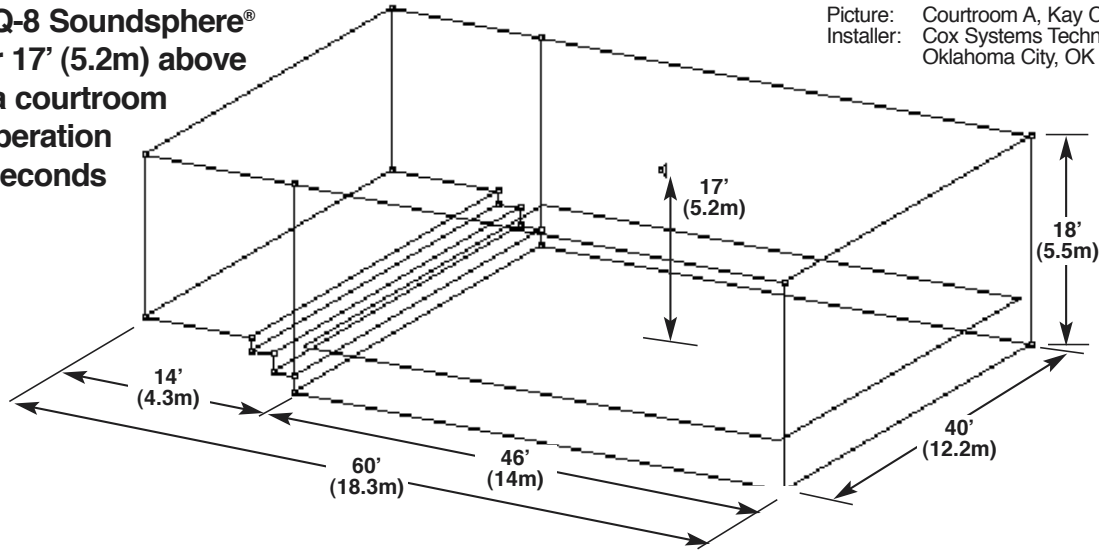
LOUDSPEAKERS



... In Courtrooms

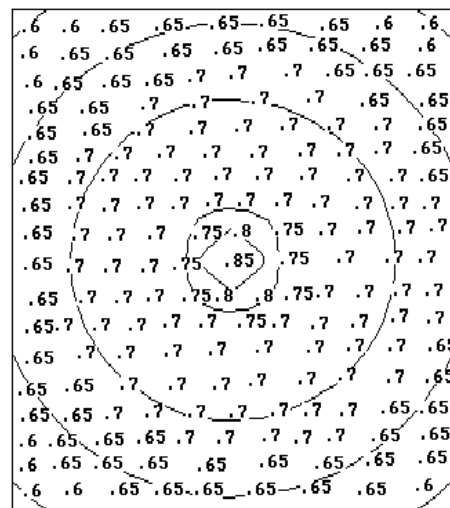
One Model Q-8 SoundSphere® loudspeaker 17' (5.2m) above the floor in a courtroom with a reverberation time of 2.2 seconds at 1kHz.

Picture: Courtroom A, Kay County, OK
 Installer: Cox Systems Technology, Oklahoma City, OK



- Decibels
- 120 - jet takeoff 200' away
 - 110 - loud rock music
 - 100 - heavy truck close by
- 5,000 shouting people in an arena
- boiler room
 - 90 - heavy traffic
 - 70 - vacuum cleaner 10' away
- normal conversation
- large store
- Typical Sound Pressure Levels (A-weighted)

RASTI



Total SPL with 25 watts



- A small number of SoundSphere® loudspeakers can produce even coverage and high speech intelligibility. SoundSphere® speaker models are available for both high and low ceilings.
- A courtroom can often be covered by a single SoundSphere® speaker, a single source of sound, which is important for intelligibility in a reverberant space.
- The appearance of SoundSphere® speakers fits in with many types of décor; standard and custom colors are available to match or complement room décor.
- SoundSphere® courtroom installations have satisfied clients where other systems could not.



Set up a demonstration and hear the difference.

SOUNDSPHERE®
 Division of Sonic Systems, Inc.

10 Research Drive • Stratford, CT 06615 • Phone: (203) 386-9200 • Fax: (203) 386-0773 • E-mail: soundsp@attglobal.net • www.soundsphere.com