

Soundsphere

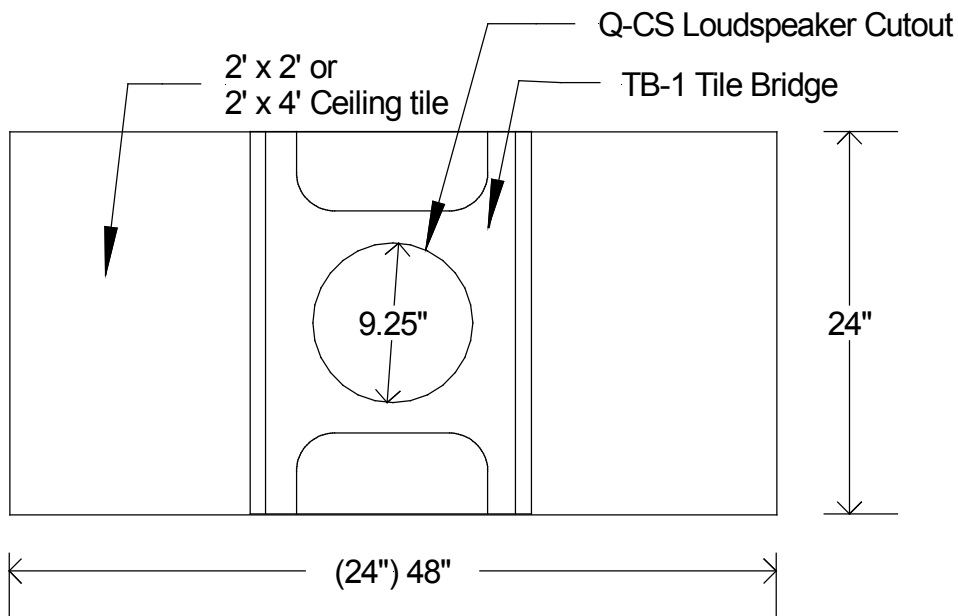
Division of Sonic Systems Inc
10 Research Dr Stratford CT 06615

For technical support call 203-386-9200

Soundsphere® Model Q-CS Low Ceiling Loudspeaker Installation Instructions

Installation in Ceiling Tiles Using the TB-1 Tile Bridge

1. Center the TB-1 tile bridge on the ceiling tile as shown:



2. Using the TB-1 tile bridge as a template, mark the 9.25" cutout for the Q-CS on the ceiling tile hidden side
3. Cut out the marked hole in the ceiling tile
4. Place the TB-1 tile bridge over the cutout on the hidden side of the ceiling tile
5. Using an awl or similar tool, make 4 holes in the ceiling tile through the screw holes on the TB-1 tile bridge
6. Insert the Q-CS loudspeaker through the cutout and the TB-1 tile bridge from the finish side of the ceiling tile
7. Secure with screws provided

Check local codes for additional mounting requirements